

Airborne Blade Antenna UHF

Type TB0405



The rugged airborne antennas model TB0405 and TS2400B are specially designed for applications onboard from aircrafts, drones and missiles

ELECTRICAL SPECIFICATIONS

- Frequency adjustable between
- Range: 380 to 470 MHz
- Bandwidth: 4 MHz at VSWR 2:1
- Polarisation: linear
- Gain: nom. 0 dBi
- Coverage: omni directional
- Power Rating: max. 20 W CW at sea level and 5 W CW at 10 km
- Impedance: 50 Ohms
- VSWR: better than 1.5:1

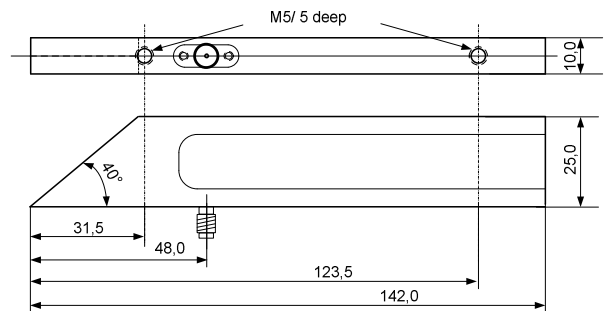
MECHANICAL SPECIFICATIONS

- Connector Type SMA female
- Materials/Colours Aluminium/ eloxal natural
- Weight ≤ 70 g (0.15 lb) / < 100 g (0.22lb)

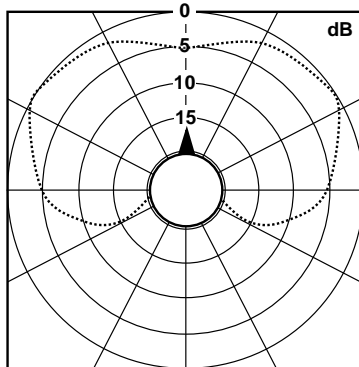
ENVIRONMENTAL SPECIFICATIONS

- Temperature Range -100°C to +200°C (-150°F to +400°F), operating
- Maximum Speed max. 1.0 mach at 10 km altitude

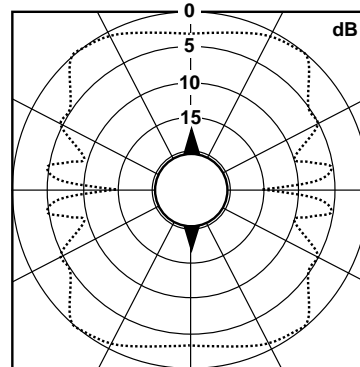
OUTLINE DIMENSIONS



TYPICAL ROLL PLANE PATTERNS for BLADE ANTENNA TB0405

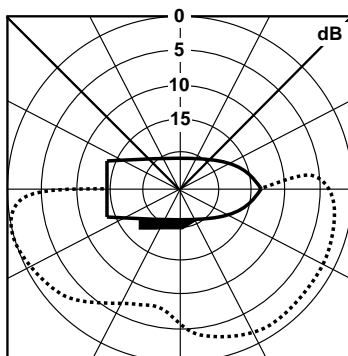


1 Antenna at 430 MHz /750 mm dia.

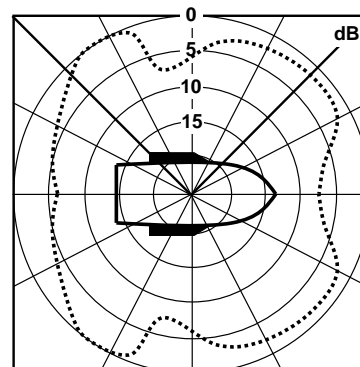


2 Antennas at 430 MHz/750 mm dia.

TYPICAL YAW PLANE PATTERNS for BLADE ANTENNA TB0405



1 Antenna at 430 MHz/750 mm dia.



2 Antennas at 430 MHz/750 mm dia.